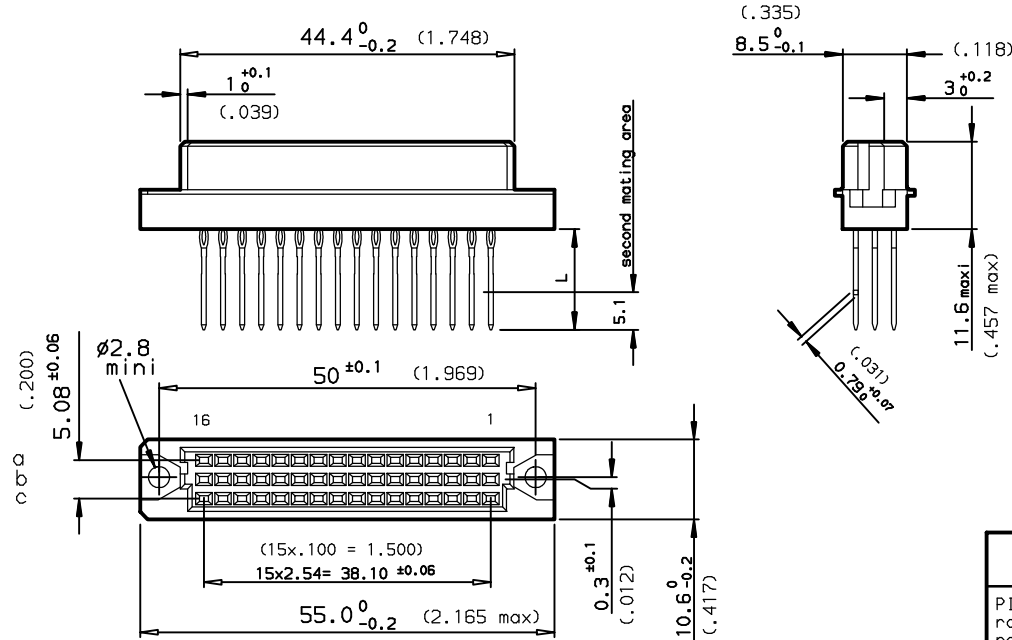
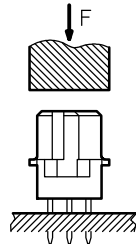


DIMENSIONS mm (inches)

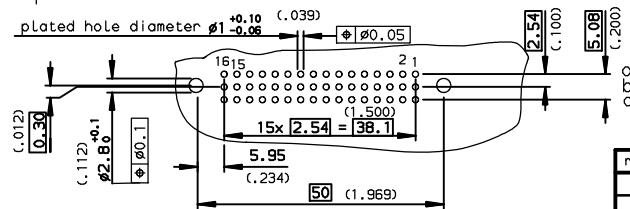


METHOD OF INSERTION
ON THE PCB = FLAT ROCK



PCB DRILLING

component side



PART NUMBER	8609			83		7		5	
PIN OUT									
rows a-b-c				3		48			
rows a-c				4		32			
NUMBER OF CONTACTS									
TERMINATION									
L = 13.10 ±0.20 (0.515)									96
L = 17.10 ±0.20 (0.673)									97
PERFORMANCE CLASS									
DIN 41612 class 3									4
DIN 41612 class 2									5
DIN 41612 class 1									6
TERMINATION TYPE									
TIN LEAD									000A
LEAD FREE									ALF

GENERAL CHARACTERISTICS AND ROHS INFORMATIONS:

SEE DRAWING C-8609-0000C

European Views

www.fciconnect.com		surface	tolerance std	projection	mm	
		ISO 1302	ISO 406 ISO 1101			
		TOLERANCES UNLESS OTHERWISE SPECIFIED			size	Scale
Dr	ROUILLARD	1998/06/15	ANGULAR	LINEAR	A3	1.5
Eng	TARON	1998/06/15	0.x			
Chr	LEGARE	1998/06/15	0.xx			
Appr	LEGARE	1998/06/15	0.xxx			
		Product family	DIN 8609	ECN	LS06-0095	
				Spec ref	-	
		title			Str	Rev.
		STRAIGHT FEMALE - STYLE C/2			C-8609-0726	C
		PRESS FIT REAR PLUG UP				
		catalog no			CUSTOMER	sheet 1 of 1

rev	ecn no	dr	date
A	-	-	1998/06/15
B	LS05-004	JTA	2005/02/26
C	LS06-0095	LGO	2006/06/24
-	-	-	-
-	-	-	-
-	-	-	-



Copyright FCI.